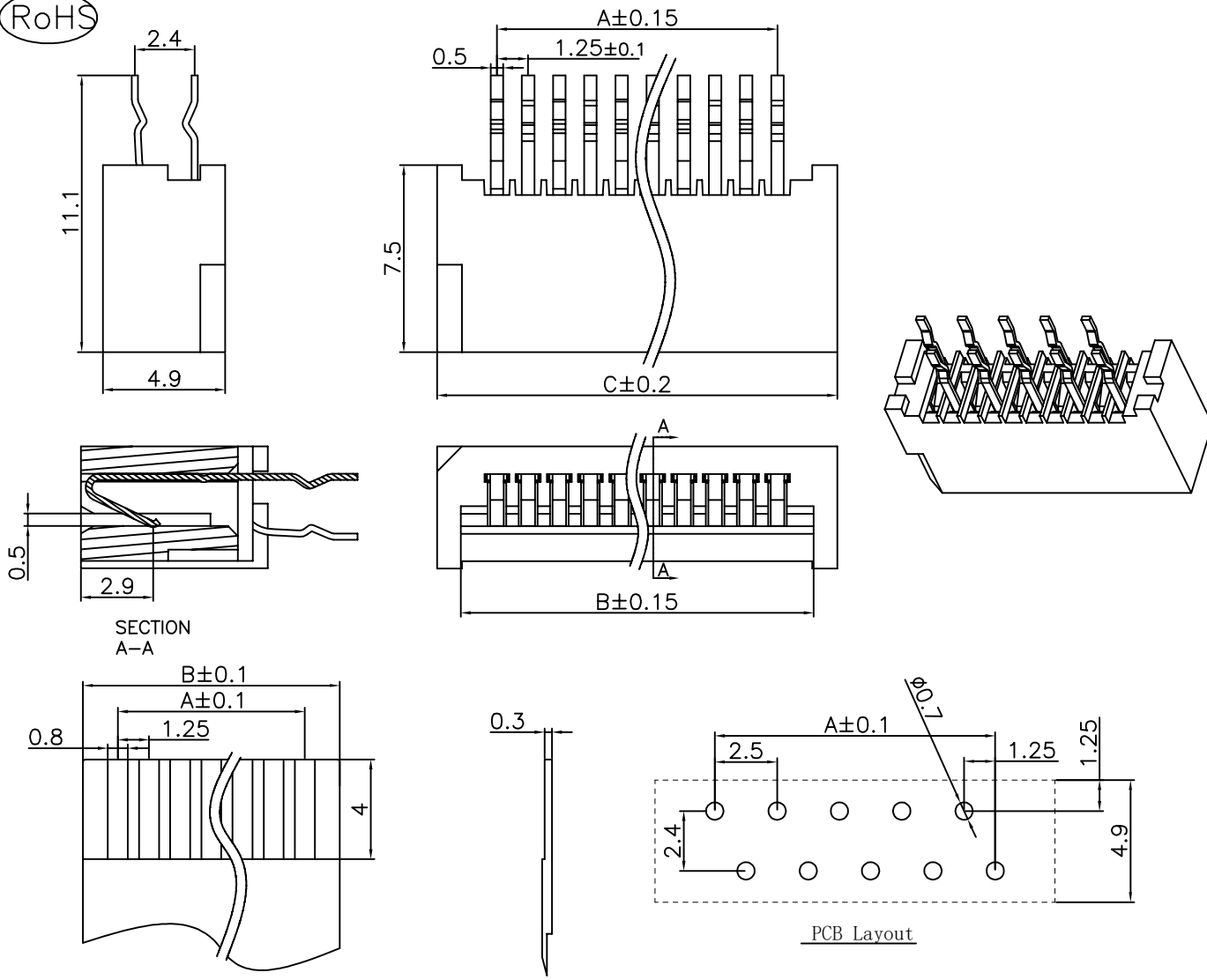


The product using material and processing must conform to the "WI-PZ-001" HSF technical standard control requirements

RoHS



ENOTE:
 1.MATERIAL SPECIFICATION:
 1-1.HOUSING:LCP
 1-2.CONTACTS:PHOSPHOR COPPER
 2.PLATING SPECIFICATION:
 2-1.CONTACTS:
 TIN/AU PLATED OVER ALL.
 4.ELECTRICAL PERFORMANCE:
 4-1. RATED CURRENT : 1A AC,DC
 RATED VOLTAGE : 50V AC/DC
 4-2.INSULATION RESISTANCE: 800MΩ MIN
 CONTACT RESISTANCE : 30mΩ(MAX.)
 4-3.WITHSTANDING VOLTAGE: 500V AC/minute
 5.ENVIRONMENTAL PERFORMANCE:
 OPERATING TEMPERATURE: -25°C~+85°C.
 6.PACKAGE SPEC: TUBE
 7.P/N:
 F1251 75 F 0-1 XX 1 X X 01

SERIES NO: _____
 HEIGHT: _____
 75: 7.5mm
 MALE FEMALE: _____
 F-FEMALE
 ANGLE: _____
 0-180°
 ROW NO: _____
 1-SINGLE ROW

COLOR:
 M-BEIGE
 K-WHITE
 S-NATURE
 PLATING:
 A-ALL AU G/F
 C-BRIGHE TIN
 1-G/F
 TERMIPOINT:
 1-DIP
 PIN Q'PY:
 02~16

Ordering Information & Dimensions

Circuit	Dimensions(mm)			Circuit	Dimensions(mm)		
	A	B	C		A	B	C
02	1.25	4.15	6.05	10	11.25	14.15	16.05
03	2.50	5.40	7.30	11	12.50	15.40	17.30
04	3.75	6.65	8.55	12	13.75	16.65	18.55
05	5.00	7.90	9.80	13	15.00	17.90	19.80
06	6.25	9.15	11.05	14	16.25	19.15	21.05
07	7.50	10.40	12.30	15	17.50	20.40	22.30
08	8.75	11.65	13.55	16	18.75	21.65	23.55
09	10.00	12.90	14.80				

REV.	REVISION RECORD	DATE	GENERAL TOLERANCES		SCALE:	NAME	DATE	PART.NO:	DWG.NO:
A0	NEW RELEASE	21.01.13	LINEAR	ANGLES	1:1	Wang_jr	21.01.13	F125175F0-1XX1XX01	ENDE05
			0.0±0.35	X'REF±6°		DESIGNER	Han_Gao	21.01.13	
			UNIT:mm	X'±3°		DRAWN	Zijun_Huang	21.01.13	
			SIZE: A4	0.000±0.10					

TITLE: Pitch 1.25mm 180 * A DIP

WanLian Teconology Co., Ltd

REV: A0 SHEET: 1/1

